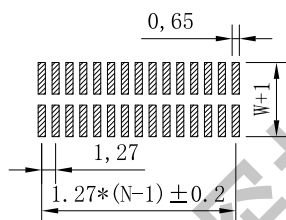
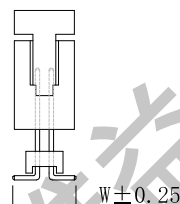
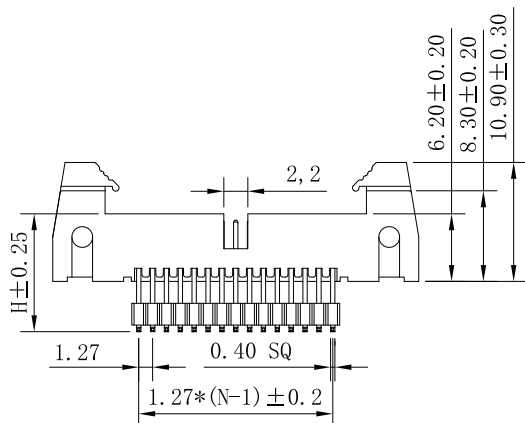
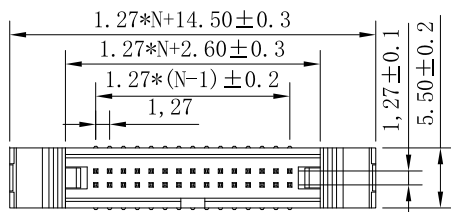


RoHS



PCB LAYOUT

SPECIFICATIONS

Current Rating: 3 AMP
 Insulator Resistance: 1000MΩ Min.
 Contact Resistance: 20mΩ Max.
 Withstanding Voltage: AC 500V
 Operating Temperature: -40°C to +105°C
 Max Processing Temp: 230° -260° for 30-60 seconds
 Insulator: Glass filled PA6T (UL94V-0), Black
 Contacts: Brass

Ordering Information

A NJ 127- XX M C X XX X 01

127=1.27mm 6-64P S=180度 A=PBT L=长耳扣 10=镀金0.8U P=袋装
 200=2.0mm R=90度 B=PA66 M=中耳扣 11=镀金1U H=盒装
 254=2.54mm M=SMT C=PA6T S=短耳扣 12=镀金1.5U T=管装
 Z=卧贴 D=PA9T E=LCP 13=镀金2U R=卷装
 14=镀金3U
 15=镀金5U
 16=镀金10U
 17=镀金15U
 18=镀金30U
 20=镀锡
 21=半金锡1U

CNJWY

深圳市金维益电子有限公司

ShenZhen CNJWY Electronic Co.,Ltd

>10	±0.30	SCALE: 比例:	1:1	APPD. 核准:		TITLE: 型号:	牛角EH-09
3~10	±0.20	UNIT: 单位:	mm	CHKD. 审核:		Part No: 料号:	ANJ127-XXMCXXX01
0~3	±0.10	ANGLE	±1°	DR. 设计:	沈琼章 2023/07/28	Part No: 客户料号:	/